



# PX3 TRANSFORMER COOLING FAN



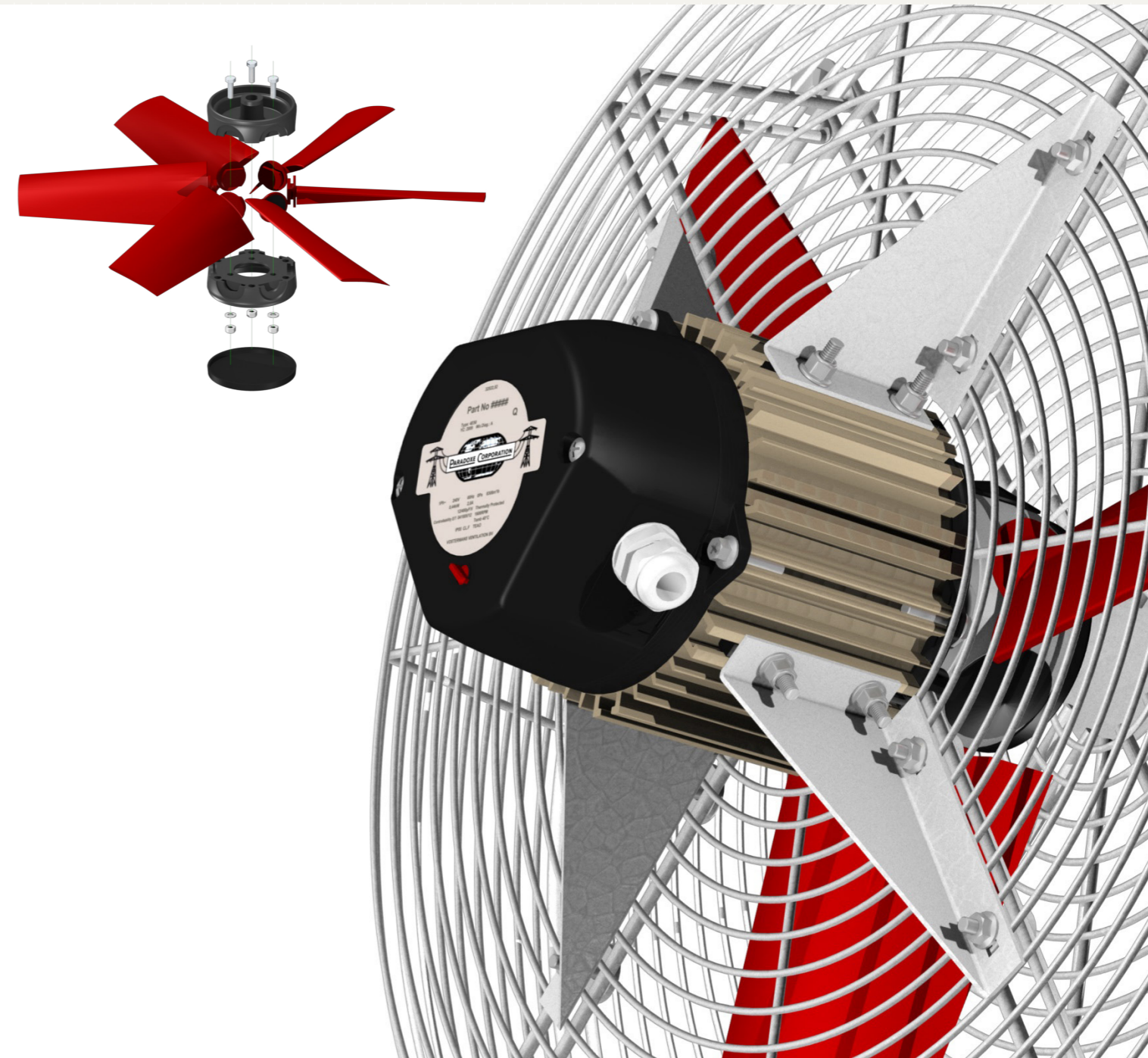
### PX3 Transformer Cooling Fan Motors are Unique

We understand that cooling is essential for the welfare of a transformer; therefore, we cannot compromise on the quality of our motors. We continuously work on future developments with our R&D department, and production is constantly expanded and upgraded. In turn, we can continue to reduce tolerances further and improve the efficiency of the motors. As a result, our motors are among the best on the market.

Photo: Paradox Corporation

### Engineered for Transformer Cooling

While it is common for portfolios to consist of a number of standard motors, we believe that customization makes the difference. For our fans, we have the flexibility to choose from hundreds of motors with different characteristics. This allows us to create the ideal motor and impeller combination. When we balance this combination, the efficiency of the fan improves and the motor load is reduced, which leads to extended service life. In addition, it ensures that most motors can withstand 10% overvoltage and 10% undervoltage. This prevents fan failures in areas where power grid fluctuations are common.



### No Compromise on Quality

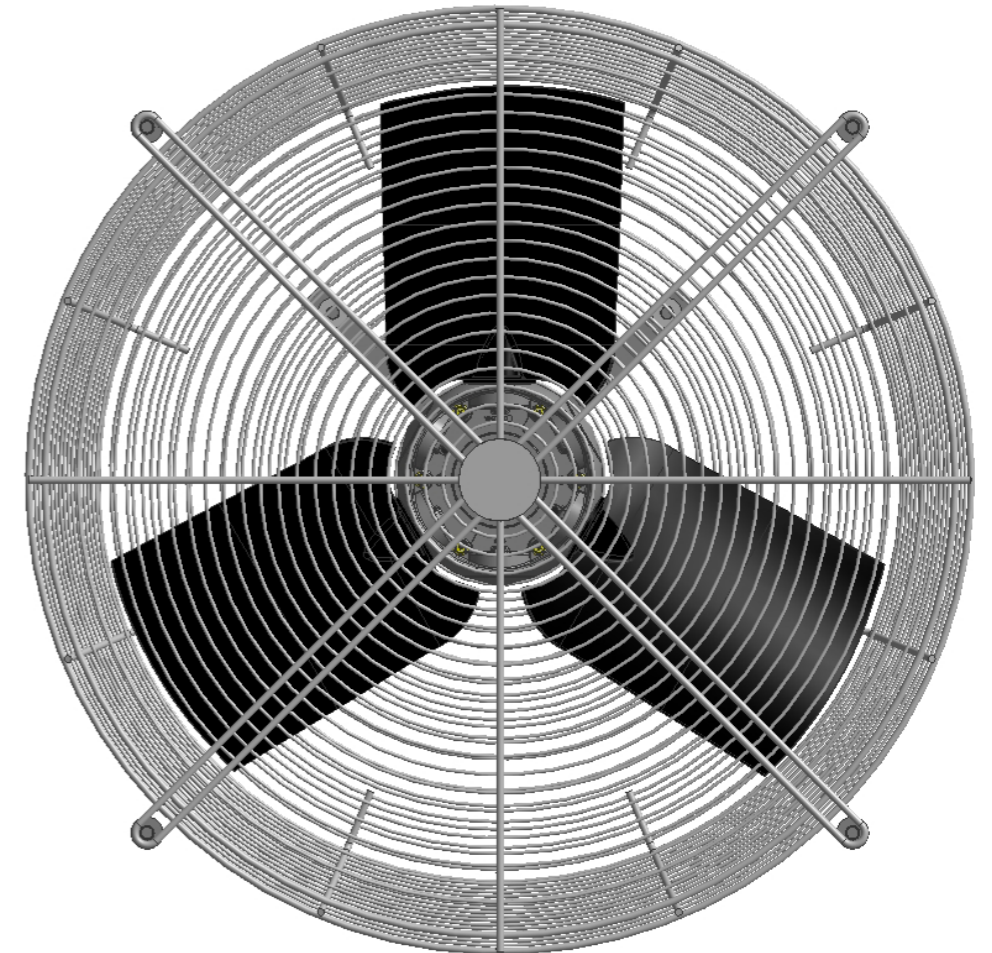
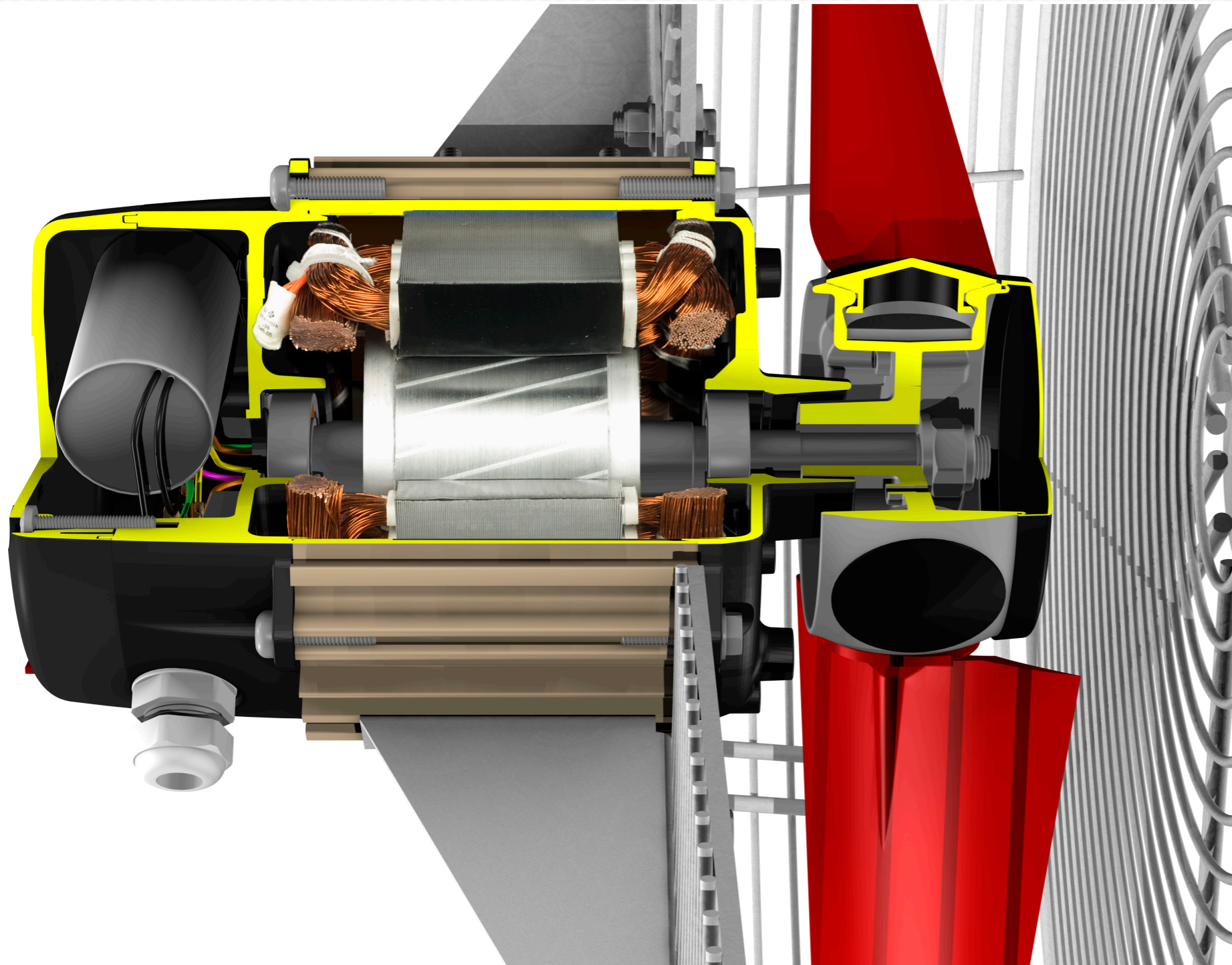
We use bearings suitable for moist and warm environments and opt for copper wire with extra protective layers. While unnecessarily robust in many cases, it is necessary in others. It allows our motors to meet even the strictest certifications, such as UL and CSA, and to comply with Class F insulation.

**Optimal Service**

Our motors are IP55 Certified, which means that it is impossible for large amounts of water spray or dust to enter the motor. Condensation alone allows at least 0.5 liters of water to flow through the motor annually. Therefore, it is essential that moist air escapes the motor. Our motors have special drainage channels, which extend the service life of the motor.

**Why Choose PX3 Transformer Cooling Fans**

- Suitable for use in harsh environments
- Extremely durable and reliable
- High energy efficiency
- Resistant to extreme corrosive environments
- Interchangeable
- 3-year warranty
- UL Recognition
- Water and dust resistant (IP55)
- Insulation Class F
- Totally Enclosed Air Over (TEAO) motors
- Motor measurements according to NEMA



**Practical Application**

Where other suppliers may only show data from the motors, we always show the performance of the motors in combination with the impellers. We acquire the required measurement data in accordance with AMCA testing standards. Based on those tests, we provide the optimal motor and impeller combination to match the demand in realistic applications.

Photo: Paradox Corporation



**Contact**

**Paradox Corporation**  
33 Old Hickory Boulevard  
Jackson, TN 38305 USA  
1-855-PX3-FANS  
px3sales@pxecorp.com